

Servo Assist Solenoid Valve S1000 Series (3/8", 1/2", 3/4", 1", 1 1/4", 1 1/2", 2")

GENERAL FEATURES

- Wide pressure range, flow rate and orific options.
- Solenoid valves are used with filters.
- Solenoid valves can be mounted in any position without affecting its operation, coil to be used in a vertical position.
- No pressure difference is required.

ELECTRICAL CHARACTERISTICS

Continuous Duty	: ED %100
Coil Insulation Class	: H (180°C)(IEC 85)
Coil Impregnation	: Polyester Fiber Glass
Ambient Temperature	: -10°C, +60°C
Protection Degree	: IP65 (ISO 60529) On request;IP68
Electric Plug Connection	: DIN 46340 3- Poles Connector(DIN43650)
Connector Specification	: ISO 4400 / EN 175301-803 Form A, Spade Plug (Cable Ø6-8 mm)
Electrical Safety	: IEC 335
Standard Voltages	: For C40; AC 12V 15VA, 24V 15VA, 48V 15VA, 110V 15VA, 230V 15VA, 230V 24VA DC 12V 18W, 24V 18W, 48V 18W, 110V 18W For C50; AC 24V 35VA, 110V 30VA, 120V 35VA, 230V 35VA, 230V 42VA DC 12V 40W, 24V 40W

On request other voltages

Voltages Tolerance : AC -15%, +10% DC -5%, +10%

Frequency : 50 Hz (60 Hz...)

On request; Connector with LED, PWM Socket

Specify coil voltage with order.

MATERIALS IN CONTACT WITH FLUID

Body	: Brass
Internal Parts	: Stainless Steel
Sealing	: NBR on request; EPDM, VITON
Shading Ring	: Copper (EN 12735-1)
Seats, Core Tube, Springs	: Stainless Steel

OPTIONS

Female connection: BSP; (On request NPT)

- On request valf CR-Ni coating, PTFE coating
- On request Atex (exproof) coil (For C40 only)

TECHNICAL FEATURES

Max. Viscosity : 5°E (-37cST veya mm²/s)

Response Time : Opening time : 400 ms - 1600 ms

Closing Time : 1000 ms - 2000 ms

SEALS FEATURES

NBR : -10°C...+80°C

EPDM : -10°C...+130°C

VITON : -10°C...+160°C

PTFE : -10°C...+160°C

RUBY : -10°C...+160°C

Not: Please look catalogues for more details.

STANDARDS

- Standard tube connection G (BSP) (ISO 228-1) and other tube connections (NPT (ANSI 1.20.3)) are available on request.
- TORK solenoid valves 97/23/EC, are available for pressure equipment directive (PED) and 2006/95/ECC low voltage directive (LVD).



NORMALLY CLOSED

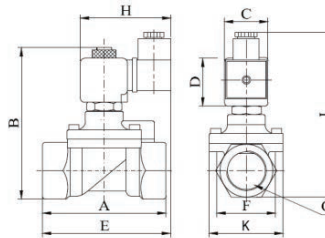
2 WAY

PILOT OPERATED

ΔP=0



ZERO DIFFERENTIAL PRESSURE



Dimensions (mm)									
	G	A	B	C	D	E	H	I	K
3/8"	72	97.7	32	45	94.8	76	109	52.5	
1/2"	80	99.2	32	45	96.2	76	110.5	52.5	
3/4"	78	106	32	45	97.2	76	117.3	52.5	
1"	85	112.5	32	45	98.7	76	123.8	52.5	
1 1/4"	109.5	152.1	32	45	132	103	158	83	
1 1/2"	128.5	158.2	32	45	132	103	163.7	95.6	
2"	149	176	32	45	150.5	103	181.5	109.7	

Coils	Nominal Values	Cold/Hot	Inrush	Holding	Current (A)	Surface Temperature (°C)
C40012VDC18W	12VDC 18W	COLD	19,56	19,56	1,63	20
		HOT	14,52	14,52	1,21	106
C40024VDC18W	24VDC 18W	COLD	20,88	20,88	0,87	25
		HOT	14,64	14,64	0,61	116
C40110VDC18W	110VDC 18W	COLD	19,96	19,96	0,18	23
		HOT	13,56	13,56	0,123	115
C40012VAC15VA	12VAC 15VA	COLD	23,81	16,43	1,3	25
		HOT	-	15,86	1,262	79
C40024VAC15VA	24VAC 15VA	COLD	25,82	15,02	0,62	22
		HOT	-	13,91	0,57	81
C40110VAC15VA	110VAC 15VA	COLD	30,65	15,17	0,137	24
		HOT	-	13,96	0,126	80
C40230VAC15VA	230VAC 15VA	COLD	31,4	15,64	0,068	25
		HOT	-	14,41	0,063	80
C40230VAC15VA	230VAC 24VA	COLD	45,1	23,92	0,0154	23
		HOT	-	21,62	0,0154	100

Coils	Nominal Values	Cold/Hot	Inrush	Inrush	Current (A)	Surface Temperature (°C)
C50012VDC40W	12VDC 40W	COLD	43,32	43,32	3,61	24
		HOT	30,05	30,05	2,50	95
C50024VDC40W	24VDC 40W	COLD	41,52	41,52	1,73	24
		HOT	30,20	30,20	1,26	95
C50024VAC35VA	24VAC 35VA	COLD	40,80	36,15	1,50	24
		HOT	140,32	31,68	1,32	90
C50110VAC30VA	110VAC 30VA	COLD	39,60	29,92	0,27	24
		HOT	36,85	27,94	0,25	92
C50120VAC35VA	120VAC 35VA	COLD	45,24	37,56	0,31	24
		HOT	42,48	35,04	0,29	99
C50230VAC35VA	230VAC 35VA	COLD	43,24	36,57	0,16	24
		HOT	41,40	34,73	0,15	102
C50230VAC42VA	230VAC 42VA	COLD	50,60	43,93	0,19	24
		HOT	46,69	40,94	0,18	106

Solenoid Valve Symbol	Valve Type/Order No	Connection Size	Orific Size	Min. Pressure	Max. Pressure (bar)		Kv	Seal			Weight	Coil
					Liquid Fluid	Gas Fluid		NBR	Viton	EPDM		
	S1000	G	mm	bar	Liquid Fluid	Gas Fluid	l/min	✓	✓	✓	Kg	
	S1000.02	3/8"	12.5	0	10	16	48	✓	✓	✓	0,720	C40
	S1000.03	1/2"	14.5	0	10	16	70	✓	✓	✓	0,775	C40
	S1000.04	3/4"	17	0	10	16	90	✓	✓	✓	0,875	C40
	S1000.05	1"	17	0	10	16	90	✓	✓	✓	0,945	C40

Servo Assist Solenoid Valve S1000 Series (G1/4", G1/2", G2")

GENERAL FEATURES

- Wide pressure range, flow rate and orifis options.
- Solenoid valves are used with filters.
- Solenoid valves can be mounted in any position without affecting its operation, coil to be used in a vertical position.
- No pressure difference is required.
- For natural gaseous and liquid fluids. e.g. air, water, oil.

ELECTRICAL CHARACTERISTICS

Continuous Duty	: ED %100
Coil Insulation Class	: H (180°C)(IEC 85)
Coil Impregnation	: Polyester Fiber Glass
Ambient Temperature	: -10°C, +60°C
Protection Degree	: IP65 (ISO 60529) On request; IP68
Electric Plug Connection	: DIN 46340 3- Poles Connector(DIN43650)
Connector Specification	: ISO 4400 / EN 175301-803 Form A, Spade Plug (Cable Ø6-8 mm)
Electrical Safety	: IEC 335
Standard Voltages	: For C40; AC 12V 15VA, 24V 15VA, 48V 15VA, 110V 15VA, 230V 15VA, 230V 24VA DC 12V 18W, 24V 18W, 48V 18W, 110V 18W For C50; AC 24V 35VA, 110V 30VA, 120V 35VA, 230V 35VA, 230V 42VA DC 12V 40W, 24V 40W

On request other voltages

Voltages Tolerance	: AC -15%, +10% DC -5%, +10%
Frequency	: 50 Hz (60 Hz...)
On request; Connector with LED, PWM Socket	
Specify coil voltage with order.	

MATERIALS IN CONTACT WITH FLUID

Body	: Brass
Internal Parts	: Stainless Steel
Sealing	: NBR, Option VITON, EPDM
Shading Ring	: Copper (EN 12735-1)
Seats, Core Tube, Springs	: Stainless Steel

OPTIONS

- On request valf CR-Ni coating, PTFE coating
- On request Atex (exproof) coil (For C40 only)

TECHNICAL FEATURES

Max. Viscosity	: 5°E (-37cST veya mm
Response Time	: Opening time : 400 m ³ /s)1600 ms Closing Time : 1000 ms - 2000 ms

SEALS FEATURES

NBR	: -10°C...+80°C
EPDM	: -10°C...+130°C
VITON	: -10°C...+160°C
PTFE	: -10°C...+160°C
RUBY	: -10°C...+160°C



NORMALLY CLOSED

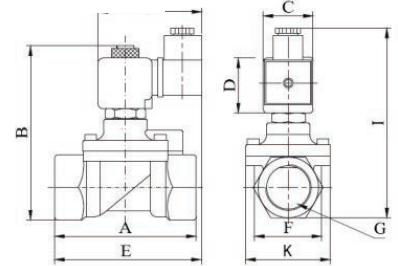
2 WAY

PILOT OPERATED

ΔP=0



ZERO DIFFERENTIAL
PRESSURE



Dimensions (mm)									
	G	A	B	C	D	E	H	I	K
3/8"	72	97.7	32	45	94.8	76	109	52.5	
1/2"	80	99.2	32	45	96.2	76	110.5	52.5	
3/4"	78	106	32	45	97.2	76	117.3	52.5	
1"	85	112.5	32	45	98.7	76	123.8	52.5	
1 1/4"	149	185.5	103	110	63	-	-	-	
1 1/2"	149	185.5	103	110	63	-	-	-	
2"	149	185.5	103	110	63	-	-	-	

Coils	Nominal Values	Cold/Hot	Inrush	Holding	Current (A)	Surface Temperature (°C)	
						COLD	HOT
C50012VDC40W	12VDC 40W	COLD	43,32	43,32	3,61	24	
		HOT	30,05	30,05	2,50	95	
C50024VDC40W	24VDC 40W	COLD	41,52	41,52	1,73	24	
		HOT	30,20	30,20	1,26	95	
C50024VAC35VA	24VAC 35VA	COLD	40,80	36,15	1,50	24	
		HOT	40,32	31,68	1,32	90	
C50110VAC30VA	110VAC 30VA	COLD	39,60	29,92	0,272	24	
		HOT	36,85	27,94	0,25	92	
C50120VAC35VA	110VAC 30VA	COLD	45,24	37,56	0,313	24	
		HOT	42,48	35,04	0,29	99	
C50230VAC35VA	230VAC 35VA	COLD	43,24	36,57	0,16	24	
		HOT	41,40	34,73	0,15	102	
C50230VAC42VA	230VAC 42VA	COLD	50,60	43,93	0,19	24	
		HOT	46,69	40,94	0,18	106	

Not: Please look catalogues for more details.

STANDARDS

- Flanged connection is according to DIN 2566 norm.
- TORK solenoid valves 97/23/EC, are available for pressure equipment directive (PED) and 2006/95/ECC low voltage directive (LVD).

Solenoid Valve Symbol	Valve Type/Order No	Connection Size	Orifis Size	Pressure for Liquid Fluids min/max		Pressure for Gas Fluids min/max		Kv	Seal	Weight	Coil	
				Bar	Bar	Bar	Bar					
	S1000	G	mm	Bar	Bar	Bar	Bar	l/min	NBR	Option		
									Viton	Kg		
	S1000.06	1 1/4"	30	0	16	0	3	250	✓	✓	8,7	C50
	S1000.07	1 1/2"	39	0	16	0	3	370	✓	✓	9,6	C50
S1000.08	2"	46	0	16	0	3	450	✓	✓	10,7	C50	

General Purpose Solenoid Valves S1000 - F Series (G1/4", G1/2", G2")

GENERAL FEATURES

- Wide pressure range, flow rate and orifis options.
- Solenoid valvs are used with filters.
- Solenoid valves can be mounted in any position without affecting its operation.
- Coil to be used in a vertical position.

ELECTRICAL CHARACTERISTICS

Continuous Duty	: ED %100
Coil Insulation Class	: H (180°C)(IEC 85)
Coil Impregnation	: Polyester Fiber Glass
Ambient Temperature	: -10°C, +60°C
Protection Degree	: IP65 (ISO 60529)
Electric Plug Connection	: DIN 46340 3- Poles Connector(DIN43650)
Connector Specification	: ISO 4400 / EN 175301-803 Form A, Spade Plug (Cable Ø6-8 mm)
Electrical Safety	: IEC 335
Standard Voltages	: AC 12V 35VA, 24V 35VA, 48V 35VA, 110V 35VA, 230V 35VA, 230V 42VA DC 12V 25W, 24V 25W

On request other voltages
 Voltages Tolerance : AC -15%, +10% DC -5%, +10%
 Frequency : 50 Hz (60 Hz...)
 On request; Connector with LED, PWM Socket
 Specify coil voltage with order

MATERIALS IN CONTACT WITH FLUID

Body	: Brass
Internal Parts	: Stainless Steel
Sealing	: NBR(On request; EPDM, VITON)
Shading Ring	: Copper (EN 12735-1)
Seats, Core Tube, Springs:	Stainless Steel

OPTIONS

- On request CR-Ni plated, PTFE coated done
- On request Atex (exproof) coil.

TECHNICAL FEATURES

Max. Viscosity	: 5°E (-37cST veya mm ² /s)
Response Time	: Opening time : 400 ms- 1600 ms Closing Time : 1000 ms- 2000 ms

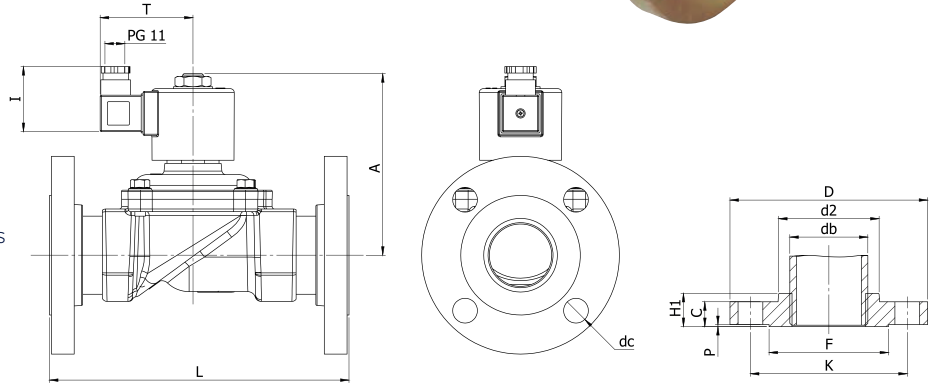
SEALS FEATURES

NBR	: -10°C...+80°C
EPDM	: -10°C...+130°C
VITON	: -10°C...+160°C
PTFE	: -10°C...+180°C
RUBY	: -10°C...+160°C

NORMALLY CLOSED

2/2 WAY

PILOT OPERATED



Dimensions (mm)					Pipe		Flange					Bolt					
G	L	A	I	T	Diameter	Whirt-worth	db	D	H1	C	F	d2	P	Bolt Holes	Bolt Diameter	dc	K
1 1/4"	180	126	50	71.5	32	1 1/4"	42.4	140	30	18	78	60	2	4	M12	18	100
1 1/2"	200	130	50	71.5	40	1 1/2"	48.3	150	32	18	88	70	3	4	M16	18	110
2"	230	139.5	50	71.5	50	2"	60.3	165	34	20	102	85	3	4	M16	18	125

Solenoid Valve Symbol	Valve Type/ Order No	Valve Diameter Size	Orifice Size	Pressure for Liquid Fluids min/max		Pressure for Gas Fluids min/max		Kv	Seal	Weight	Coil		
				Bar	Bar	Bar	Bar						
	S1000 - F	DN	mm	Bar	Bar	Bar	Bar	Lt/dk	NBR	kg	C50		
									Opsiyon				
									Viton				
									EPDM				
	S1000.06.300 F	32 mm	30	0	16	0	3	250	✓	✓	✓	8,7	C50
	S1000.07.390 F	40 mm	39	0	16	0	3	370	✓	✓	✓	9,6	C50
	S1000.08.460 F	50 mm	46	0	16	0	3	450	✓	✓	✓	10,7	C50

STANDARDS

- Flanged connection is according to DIN 2566 norm.
- TORK solenoid valves 97/23/EC, are available for pressure equipment directive (PED) and 2006/95/ECC low voltage directive (LVD).

Not: Please look catalogues for more details.