

#### Tender specification:

Oventrop automatic airvents for temperatures between 0 °C and 100 °C, PN 10, for a reliable elimination of air which is generated during heating up periods of heating systems.

The airvents prevent:

- Corrosion
- Airlocks in radiators and resulting flow noises
- Dry running of the pump

#### Function:

An automatic deaeration is given when the venting valve is open and the deaeration function is no longer given when the venting valve is closed.

The automatic airvent can be cleaned and replaced under working conditions and without pressure discharge via the automatic shut off device.

The precision airvent, item no. 1088203, is additionally equipped with an air admission barrier preventing the entry of air through the venting valve.

#### Models:

Body made of brass (item no. 1088404: nickel plated brass).

G	Automatic shut off device	Item no.
G 3/8"	with	1088303
G 1/2"	with	1088304
G 3/4"	with	1088306
G 1/2"	without	1088404
G 3/8"	with	1088203

#### Application:

The Oventrop automatic airvents are used in central heating and heat pump systems PN 10 with fluid temperatures between 0°C and 110 °C. They can be used with water and mixtures of water and glycol with a max. glycol proportion of 30 %.

The airvents are installed vertically at the highest position of the system. Suitable installation points are risers, distributors, air separators or other points prone to airlocks.

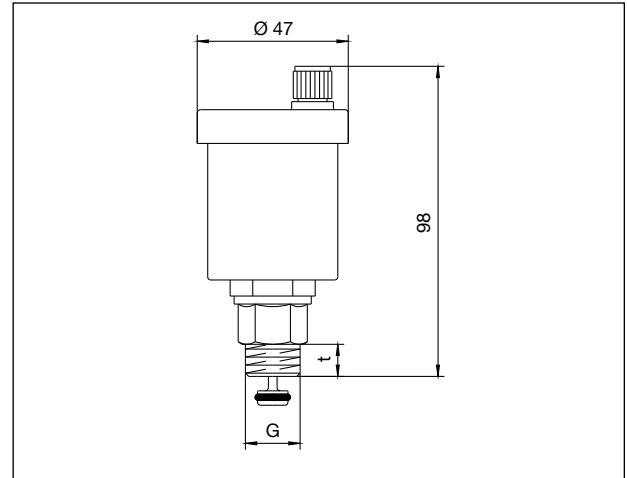
(Note: For solar circuits, the "Regusol" deaerator, item no. 1368304, is to be used.)

OVENTROP GmbH & Co. KG  
 Paul-Oventrop-Straße 1  
 D-59939 Olsberg, Germany  
 Phone +49 (0)29 62 82-0  
 Fax +49 (0)29 62 82-450  
 E-Mail mail@oventrop.de  
 Internet www.oventrop.de

For an overview of our global presence visit [www.oventrop.de](http://www.oventrop.de).

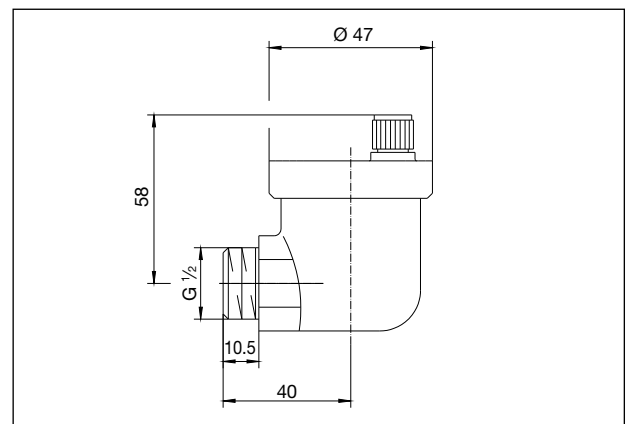
Subject to technical modification without notice.

Product range 5  
 ti 191-EN/10/MW  
 Edition 2015

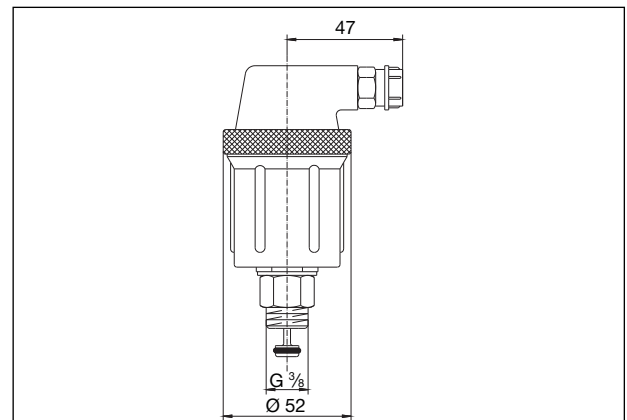


Item no.	G	t
1088303	3/8	10
1088304	1/2	12
1088306	3/4	12

Dimensions item no. 1088303-06



Dimensions item no. 1088404



Dimensions item no. 1088203